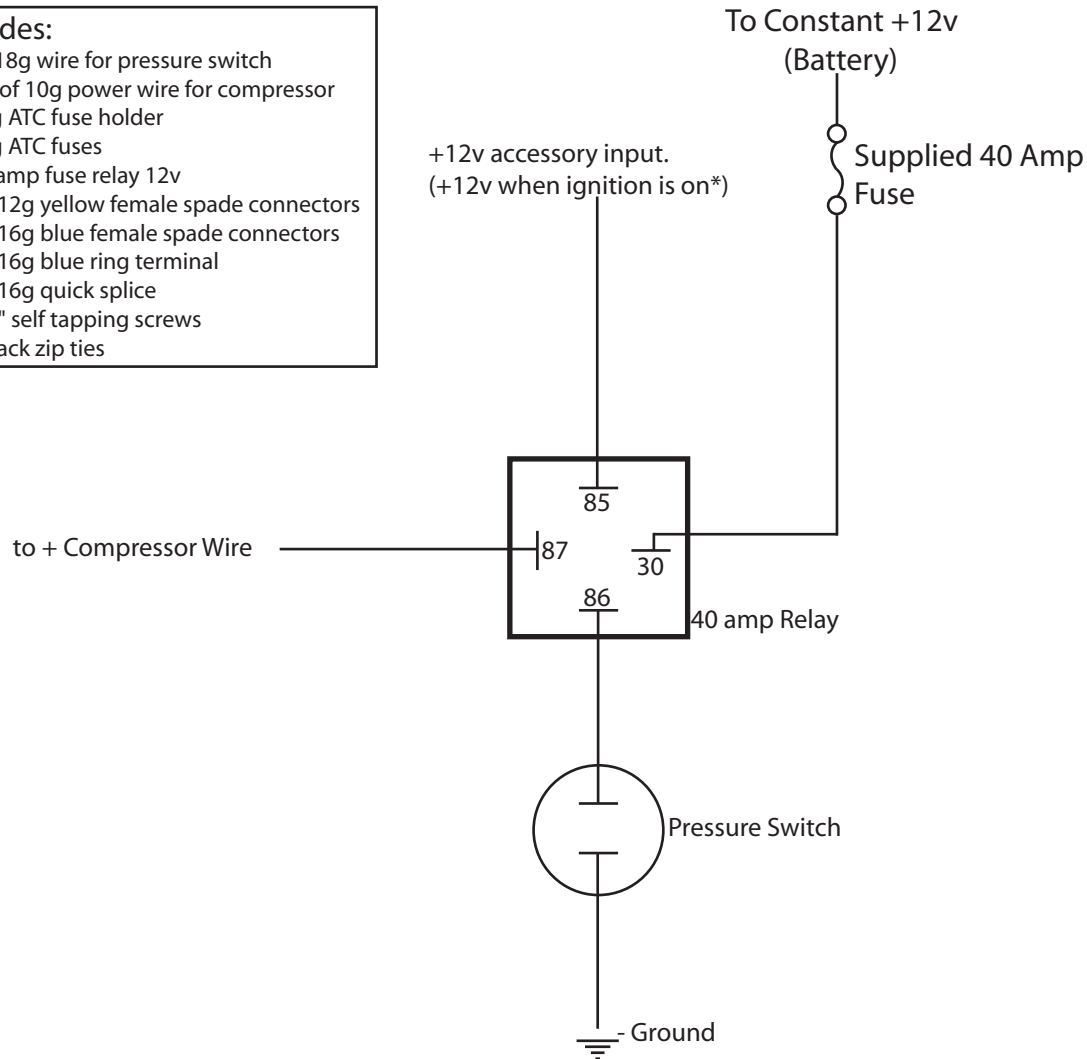


Single Viar Compressor Wiring Kit

Includes:

- 25' of 18g wire for pressure switch
- (1) 25' of 10g power wire for compressor
- (1) 10g ATC fuse holder
- (2) 10g ATC fuses
- (1) 40 amp fuse relay 12v
- (2) 10-12g yellow female spade connectors
- (7) 14-16g blue female spade connectors
- (2) 14-16g blue ring terminal
- (1) 14-16g quick splice
- (6) 1/2" self tapping screws
- (10) black zip ties



Instructions

1. Disconnect (-) Terminal of the Battery
2. Connect Gold Ring Terminal to suitable constant +12V (preferably the battery or power distribution block)
3. Run Main power wire (10g) to relay and attach to relay with supplied connector (yellow) on contact #30
4. Connect power wire from the compressor (Red wire) to the relay on contact #87
5. Connect pressure switch wire to relay using the supplied connector (blue) to contact # 86 and to contact on the pressure switch
6. Connect wire to other side of the pressure switch using the supplied connector (blue) and attach the other end of the wire to a suitable ground (Body or Frame) using the blue ring connector
7. Connect remaining pressure switch wire to contact #85 using supplied connector (blue) and attach other end to a switched +12v fused wire using supplied power tap connector. This will enable the pressure switch when the vehicle is on.
8. Install the supplied 40amp Fuse in the fuse holder and reconnect the battery.