

Slam Specialties

Model No. : SV-8C

Made in USA

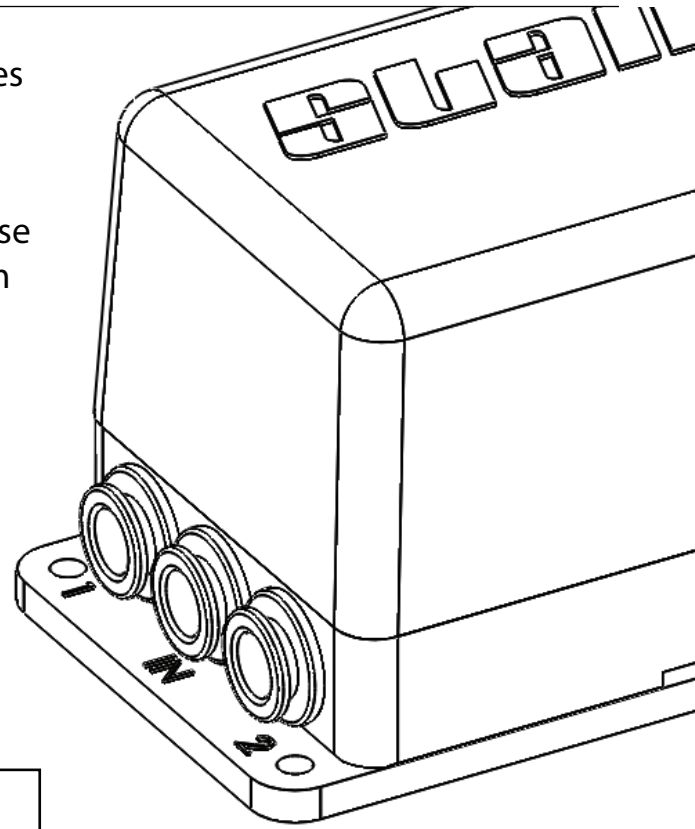
Manifold Valves

Thank you for Purchasing the SV-8C by Slam Specialties

This instruction sheet provides mounting dimensions and wiring color codes to simplify your installation of the valve. If you have any questions or concerns, please call 888-352-5225 or e-mail sales@slamspecialties.com

Product contents:

- (1) SV-8C manifold valve
- (1) Wire harness
- (4) 1" 10-32 Stainless mounting screws
- (4) 10-32 Stainless nylock nuts
- (4) Stainless washers
- (1) 3/8" Port Plug
- (1) Blue Ring Terminal
- (1) Tube Removal Tool



Technical data:

200 PSI Max operating pressure

(6) 3/8 D.O.T. Push-to-Connect fittings

Anodized 6061-T6 Aluminum manifold

Dual Slot exhaust ports w/ integrated mufflers

Removable base plate for alternative mounting

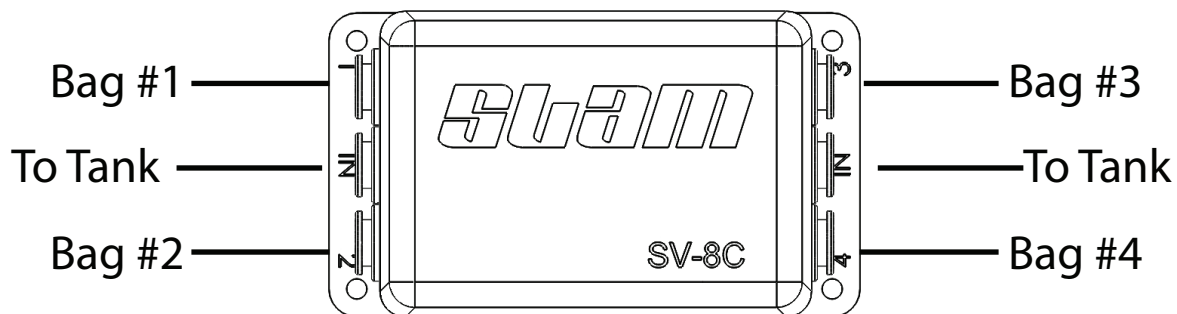
Stainless Steel internal operators

Innovative Frame mount design

(8) 8.5w 12v DC Solenoid Coils

Wiring

Port	Function	Wire Color
1	Fill	Red
	Exhaust	Brown
2	Fill	White
	Exhaust	Green
3	Fill	Yellow
	Exhaust	Blue
4	Fill	Orange
	Exhaust	Purple



Only one inlet/tank port is required for valve to operate.
The second inlet port can be plugged with the included port plug.