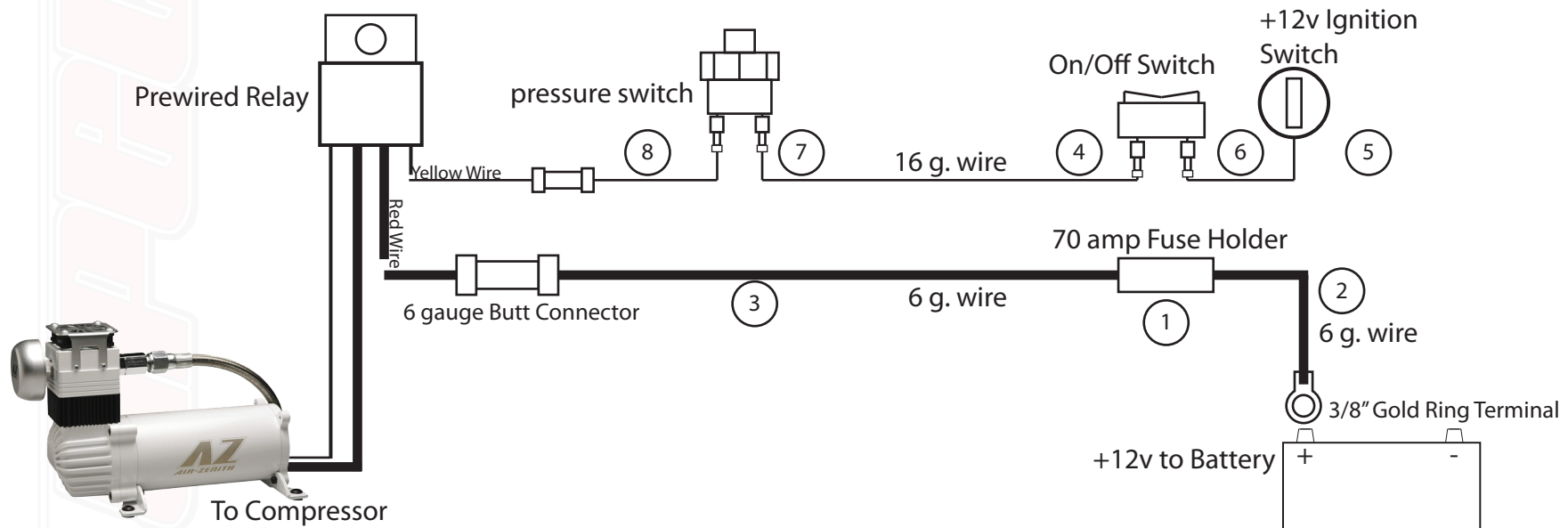


Air Zenith OB2 Wiring Diagram



Parts List:

- 25' 6 Gauge Power Wire
- 25' 16 Gauge Wire
- (1) Fuse Holder
- (2) 70 amp AGU Gold Fuses
- (6) Blue Female Quick Disconnects
- (2) Blue Butt Connector
- (2) Blue T-Taps
- (2) 6 Gauge Butt Connectors
- (1) 3/8" Ring Terminal Gold
- (1) on-off Mini Rocker Switch
- (6) 1/2" Self Tapping Screws
- (10) Black Zip Ties

Instructions:

- (1) Mount Fuse holder close to the battery or +12 volt connection for main power wire. Keep away from excessive moisture/heat.
- (2) Measure and cut 6 Gauge wire to connect +12 volt power from battery or distribution point to fuse holder. Crimp Gold Ring Terminal to one end of the 6 Gauge Wire, and connect the other end to the Fuse Holder. Do Not Hook ring terminal to +12 Volt until all wiring is complete.
- (3) Connect 6 Gauge power wire on the prewired relay socket using the 6 Gauge (large) Butt Connector. Crimp Connector tight to ensure a good connection. Connect other end of this wire to Fuse Holder, keeping wire away from heat sources and moving parts.
- (4) Mount rocker switch inside the vehicle.
- (5) Locate the switched 12 volt wire near the ignition switch. This wire will measure +12 volts when the ignition switch is in the on position. Use the T-tap connector by crimping the t-tap around the wire.
- (6) Crimp Blue Female Quick Disconnect to the 16 gauge (black) wire and connect quick disconnect to the on/off switch. The other end of this wire connects to the wire found in step (5) with the blue T-tap connector.
- (7) Crimp Blue Female quick disconnect to 16 gauge (black) wire. Connect this to the second tab of the on/off switch. Run this wire to one side of the pressure switch. Connect to pressure switch with Female Quick Disconnect. Cut wire to fit.
- (8) Crimp Blue Female quick Disconnect to remaining 16 gauge (black) wire. Connect this to second tab of the Pressure switch. Connect other side to YELLOW wire of the prewired relay using the Blue Butt Connector.
- (9) Using the screws provided with the compressor, or included in this kit, secure the relay and ground wires.
- (10) Connect the Gold Ring Terminal to battery or Power distribution point.
- (11) Double Check all connections.
- (12) Install Fuse into Fuse holder.