

SLAM SPECIALTIES

Model No. : SV-8C-GP

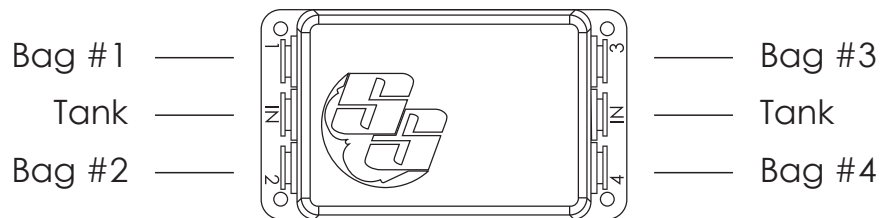
Made in USA

Manifold Valve

Thank you for Purchasing the SV-8 by Slam Specialties
 This instruction sheet provides mounting dimensions and wiring color codes to simplify your installation of the valve. If you have any questions or concerns, please call 888-352-5225 or e-mail info@slamspecialties.com

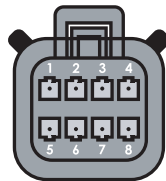
Product Contents:

- | | |
|---------------------------------|------------------------|
| (1) SV-8 manifold valve | (8) Stainless washers |
| (1) Wire harness | (1) Red ring terminal |
| (4) 1" 10-24 Stainless screws | (4) 1/8" NPT hex plugs |
| (4) 10-24 Stainless nylock nuts | (1) 3/8" Port plug |



Only one inlet/tank port is required for valve to operate. **(See Recommendations below)**
 The second inlet can be plugged with the included port plug.

Technical date:
200 PSI Max operating pressure
(6) 3/8 Push-to-Connect fittings
(4) 1/8 NPT Gauge Ports w/hex plugs
Anodized 6061-T6 Aluminum manifold
Dual Slot exhaust ports w/mufflers
Steel internal operators
(8) 13w 12v DC Solenoid Coils



- 1.) Up 1 — Black
- 2.) Up 2 — Yellow
- 3.) Up 3 — Brown
- 4.) Up 4 — Purple
- 5.) Down 1 — Green
- 6.) Down 2 — Orange
- 7.) Down 3 — Blue
- 8.) Down 4 — White

Wiring		
Port	Function	Wire Color
1	Fill	Black
	Exhaust	Green
2	Fill	Yellow
	Exhaust	Orange
3	Fill	Brown
	Exhaust	Blue
4	Fill	Purple
	Exhaust	White
GROUND		Black w/ Ring Terminal

Harness wiring information

The SV-8 includes a short wiring harness that will plug into the connector on the valve wire that allows you to use any control system. The functions are color coded to the wire chart above.

Recommendations:

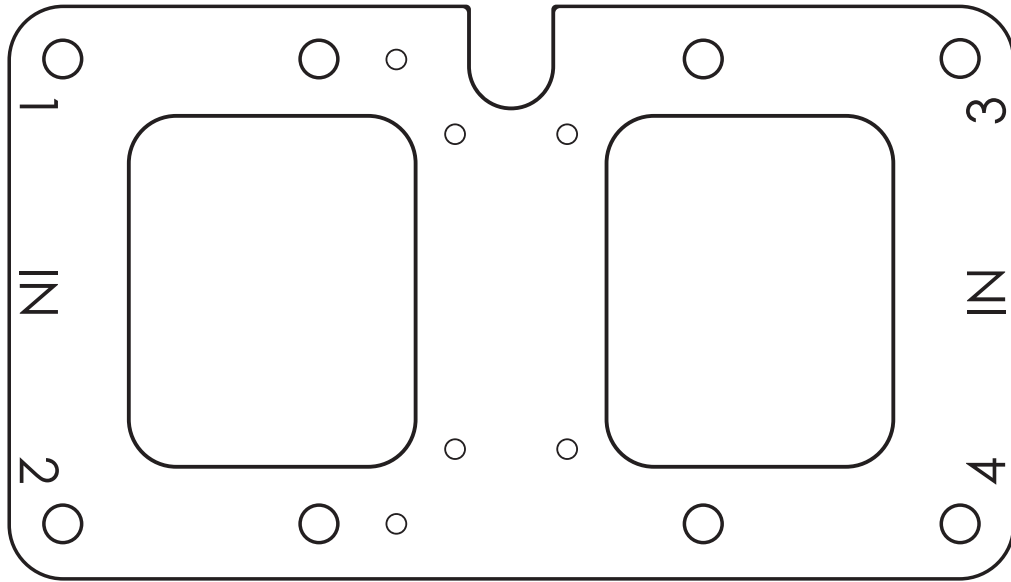
Water traps/Air filter are recommended between the air tank and the valve. One water trap/filter per inlet. If you are using one tank port on the valve, only one water trap/filter is necessary. Water trap/filter will help to prevent debris from the air system from entering the valve which could potentially cause the valve to not close fully.

SLAM SPECIALTIES

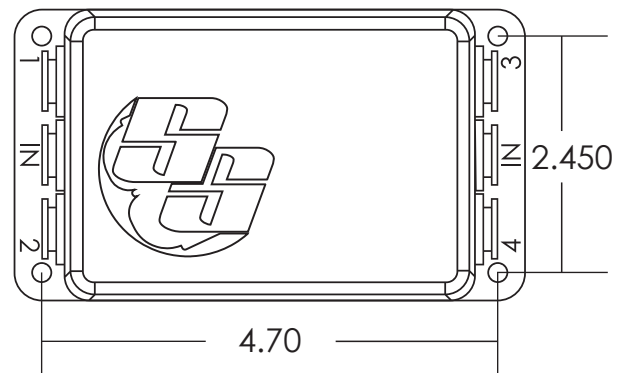
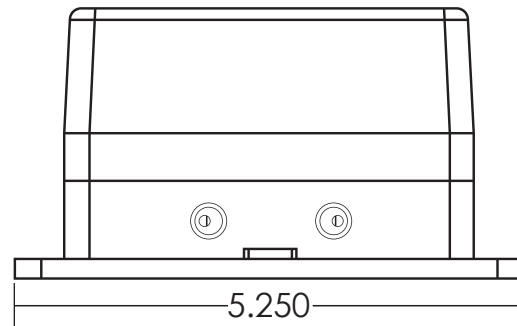
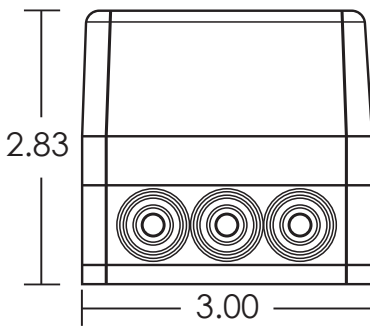
Model No. : SV-8C-GP

Made in USA

Manifold Valve



Mounting Bracket template



Dimensions in inches