

Slam Specialties

Model No. : SV-8

Made in USA

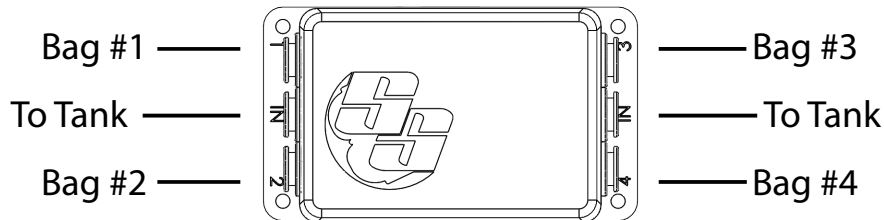
Manifold Valves

Thank you for Purchasing the SV-8 by Slam Specialties

This instruction sheet provides mounting dimensions and wiring color codes to simplify your installation of the valve. If you have any questions or concerns, please call 888-352-5225 or 559-348-9038 or e-mail sales@slamspecialties.com

Product contents:

- | | |
|--|-----------------------|
| (1) SV-8 manifold valve | (8) Stainless washers |
| (1) Wire harness | (1) 3/8" Port Plug |
| (4) 1" 10-24 Stainless mounting screws | (1) Red Ring Terminal |
| (4) 10-24 Stainless nylock nuts | (1) Tube Removal Tool |



Only one inlet/tank port is required for valve to operate. **See Recommendations below**
The second inlet port can be plugged with the included port plug.

Technical data:
200 PSI Max operating pressure
(6) 3/8 D.O.T. Push-to-Connect fittings
Anodized 6061-T6 Aluminum manifold
Dual Slot exhaust ports w/ integrated mufflers
Removable base plate for alternative mounting
Stainless Steel internal operators
Innovative Frame mount design
(8) 10w 12v DC Solenoid Coils

Wiring		
Port	Function	Wire Color
1	Fill	Black
	Exhaust	Green
2	Fill	Yellow
	Exhaust	Orange
3	Fill	Brown
	Exhaust	Blue
4	Fill	Purple
	Exhaust	White
GROUND		Black w/ Ring Terminal

Harness wiring information

The SV-8 includes a short wiring harness that will plug into the connector on the valve wire and allow you to use any control system. The functions are color coded to the wiring chart above.

RECOMMENDATIONS:

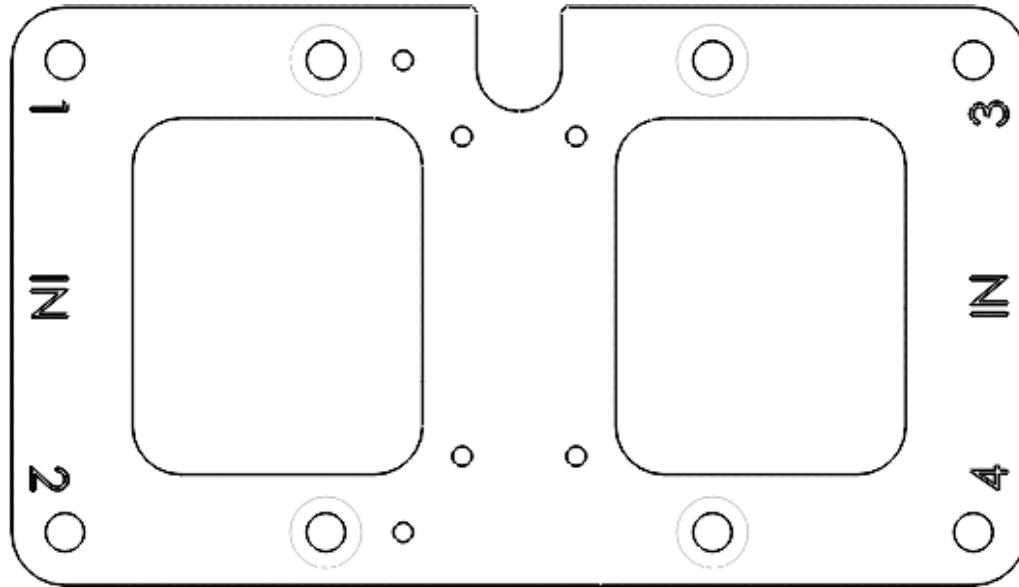
Water traps/Air filters are recommended between the tank and the valve. One water trap/filter per inlet. If you are using one tank port on the valve, only one water trap/filter is necessary. Water traps/filters will help to prevent debris from the air system from entering the valve which could potentially cause the valve to not close fully.

SLAM SPECIALTIES

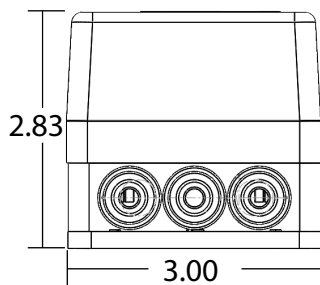
Model No. : SV-8C

Made in USA

Manifold Valves



Mounting Bracket template



dimensions in inches

